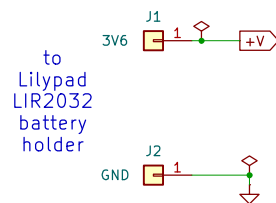
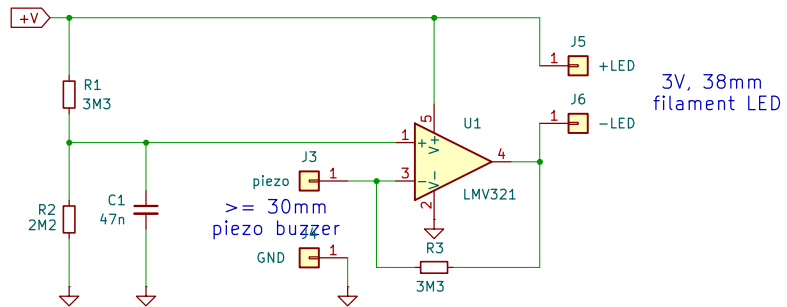


Nervous LED MAN

"mapa de ruido" version 2024



notes :
C1 : any value from 22n to 220n is ok
R1,2: ratio should be 3:2 , e.g. R1=1M5, R2=1M
R3 : any value from 1M5 to 10M is ok



CC BY NC SA elektroewe 09/2024

www.kulturgueter-schuppen.de

Sheet: Stammblatt

File: NervousLEDMAN.kicad_sch

Title: NervousLED

Size: A4

Date: 2024-10-11

Rev: V1.0

KiCad E.D.A. 8.0.5

Id: 1/1